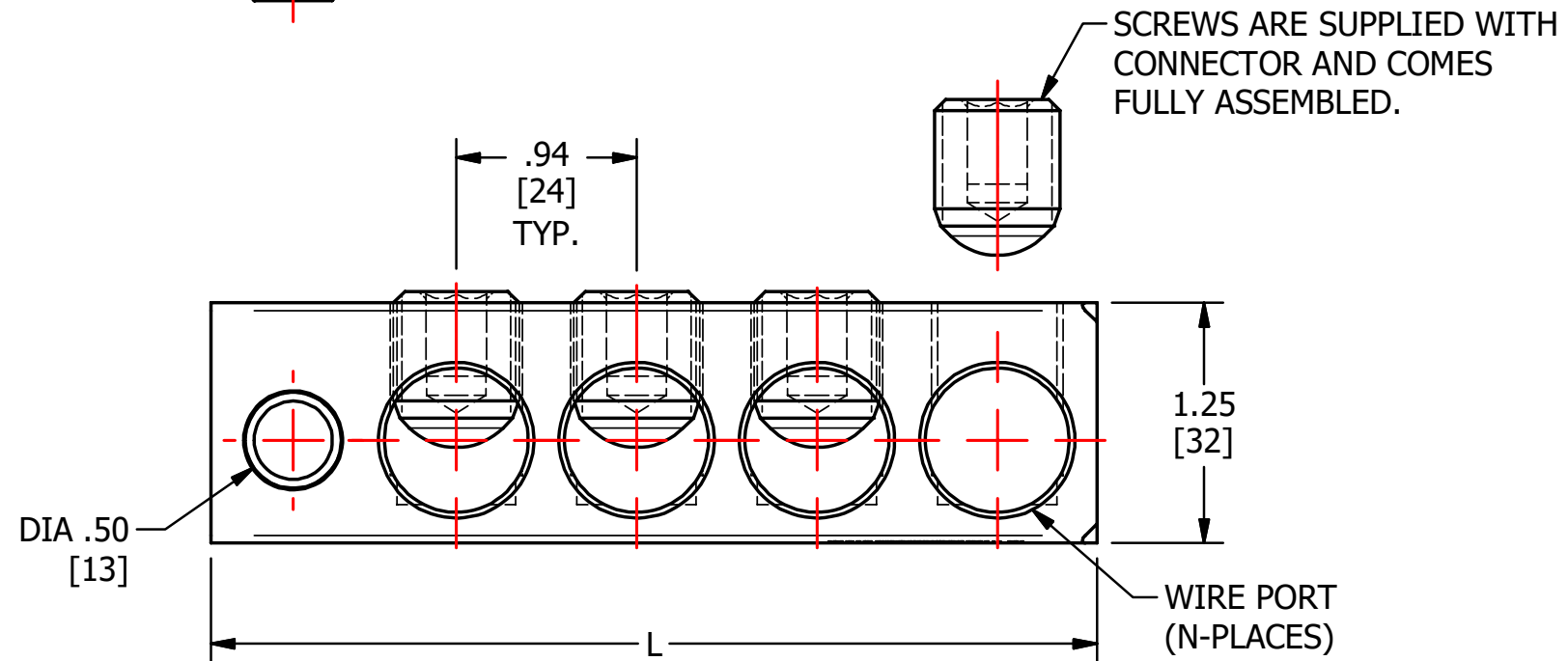
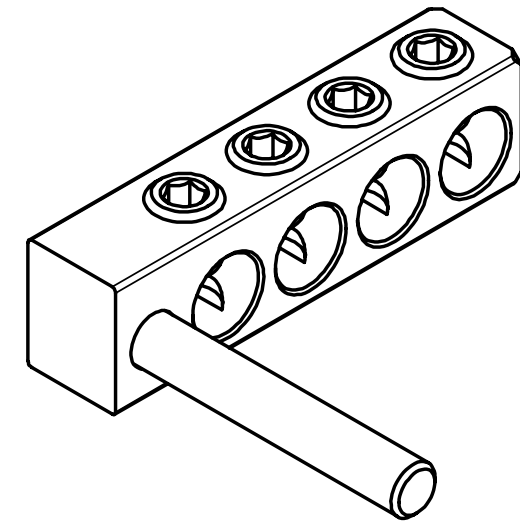
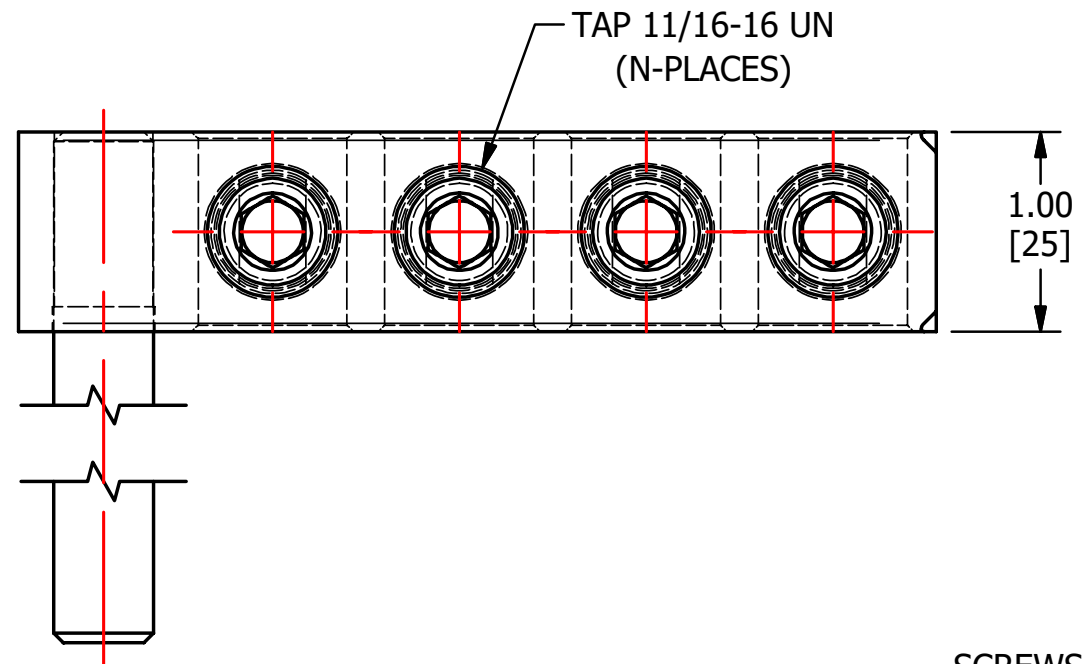


S.NO	CATALOG NUMBER	L	N
1	NP2-350I	2.74 [70]	2
2	NP3-350I	3.68 [99]	3
3	NP4-350I	4.62 [117]	4
4	NP6-350I	6.50 [165]	6
5	NP8-350I	8.38 [213]	8



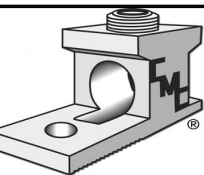
CONDUCTOR RANGE: 350 Kcmil - #12 AWG  
 FINISH: CLEAR PLATE  
 MATERIAL: ALUMINUM

					TO ORDER CMC PRODUCTS CALL 1-513-860-4455	DRAWN BY: TS 09-27-19	NAME OF PART: PIN CONNECTOR ASSEMBLY	CAT. NO.: SEE TABLE
					FOR PRODUCT INFO: <a href="http://www.cmclugs.com">http://www.cmclugs.com</a>	CHECKED BY:	DWG NO: C58700207I-0-S (CHARTED)	A
A	NEW DRAWING CREATED		09-27-19	TS		DRAWING NOT TO SCALE		SHEET NO: 1 OF 1
REV.	DESCRIPTION	ECN	DATE	INIT.				

THIS INFORMATION IS PROPRIETARY TO CONNECTOR MFG. CO. AND IS NOT TO BE DISCLOSED OUTSIDE OF CONNECTOR MFG. CO. WITHOUT A CONFIDENTIALITY AGREEMENT



**CONNECTOR MANUFACTURING CO.**



HAMILTON, OHIO